

53425-1 ✓ ACTIVE



PIDG

TE Internal #: 53425-1

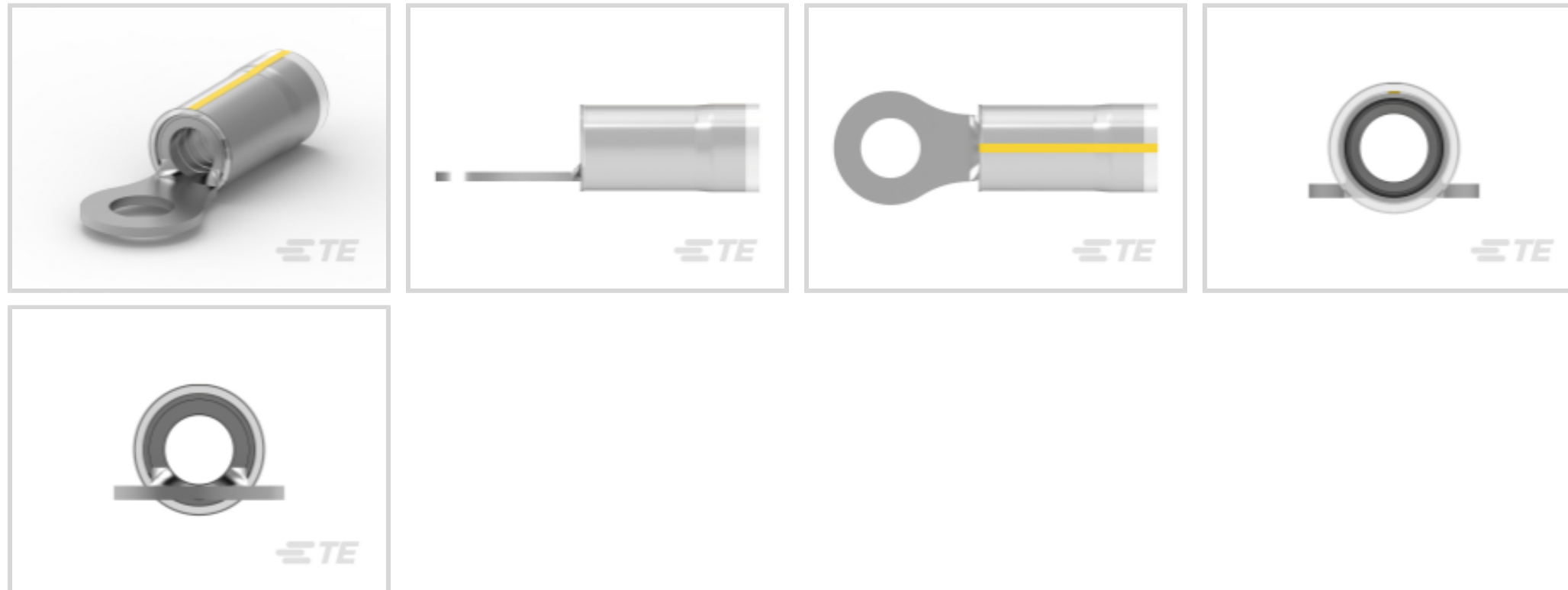
Ring Terminals & Spade Terminals, Ring Tongue, 12 – 10 AWG

Wire Size, 3 – 6 mm² Wire Size, 5180 – 13100 CMA Wire Size, Stud

Size #10, PIDG

[View on TE.com >](#)

Terminals & Splices > Ring Terminals & Spade Terminals > PIDG Radiation Resistant C Rings/Spades



Ring & Spade Terminal Type: **Ring Tongue**

Wire Size: **5180 – 13100 CMA**

Stud Size: **#10**

[All PIDG Radiation Resistant C Rings/Spades \(41\)](#)

Features

Product Type Features

| | |
|--|--------------------|
| Stud Size | #10 |
| Sealable | No |
| Wire Insulation Support Retention Type | Insulation Support |

Configuration Features

| | |
|-----------------|-------|
| Number of Holes | 1 |
| Terminal Angle | 180 ° |

Body Features

| | |
|-------------------------|---------|
| Insulation Sleeve Color | Natural |
| Stripe Color | Yellow |

Contact Features

| | |
|----------------------------|-------------|
| Military Part Class | Class I |
| Ring & Spade Terminal Type | Ring Tongue |
| Barrel Type | Closed |
| Terminal Orientation | Offset |



| | |
|---------------------------|----------|
| Terminal Plating Material | Tin-Lead |
|---------------------------|----------|

Mechanical Attachment

| | |
|-------------------------|------|
| Wire Insulation Support | With |
|-------------------------|------|

Dimensions

| | |
|--|------------------------------|
| Wire Size | 5180 – 13100 CMA |
| Stud Diameter | 5 mm[.197 in] |
| Tongue Thickness | 1.07 mm[.042 in] |
| Overall Product Length | 27.5 mm[1.083 in] |
| Accepts Wire Insulation Diameter (Max) | 5.84 mm[.23 in] |
| Accepts Wire Insulation Diameter Range | 3.81 – 5.84 mm[.15 – .23 in] |

Usage Conditions

| | |
|-----------------------------|---------------------|
| Insulation Option | Partially Insulated |
| Operating Temperature Range | 150 °C[302 °F] |

Operation/Application

| | |
|---------------------------------------|--------|
| Compatible With Wire Base Material | Copper |
| Compatible With Wire Plating Material | Tin |
| Heavy Duty | No |

Industry Standards

| | |
|----------------------|-----|
| Government Qualified | Yes |
|----------------------|-----|

Packaging Features

| | |
|--------------------|-------------|
| Packaging Quantity | 500 |
| Packaging Method | Loose Piece |

Other

| | |
|---------|-------------|
| Comment | Brazed Body |
|---------|-------------|

Product Compliance

[For compliance documentation, visit the product page on TE.com>](#)

| | |
|---|---|
| EU RoHS Directive 2011/65/EU | Not Compliant |
| EU ELV Directive 2000/53/EC | Not Compliant |
| China RoHS 2 Directive MIIT Order No 32, 2016 | Restricted Materials Above Threshold |
| EU REACH Regulation (EC) No. 1907/2006 | Current ECHA Candidate List: JUNE 2022 (224) |



Candidate List Declared Against: JUNE 2022 (224)
 SVHC > Threshold:
 Pb (13% in Component)

Article Safe Usage Statements:

Do not eat, drink or smoke when using this product. Wash thoroughly after handling. Recycle if possible and dispose of the article by following all applicable governmental regulations relevant to your geographic location.

Halogen Content

Low Bromine/Chlorine - Br and Cl < 900 ppm per homogenous material. Also BFR /CFR/PVC Free

Solder Process Capability

Not applicable for solder process capability

Product Compliance Disclaimer

This information is provided based on reasonable inquiry of our suppliers and represents our current actual knowledge based on the information they provided. This information is subject to change. The part numbers that TE has identified as EU RoHS compliant have a maximum concentration of 0.1% by weight in homogenous materials for lead, hexavalent chromium, mercury, PBB, PBDE, DBP, BBP, DEHP, DIBP, and 0.01% for cadmium, or qualify for an exemption to these limits as defined in the Annexes of Directive 2011/65/EU (RoHS2). Finished electrical and electronic equipment products will be CE marked as required by Directive 2011/65/EU. Components may not be CE marked. Additionally, the part numbers that TE has identified as EU ELV compliant have a maximum concentration of 0.1% by weight in homogenous materials for lead, hexavalent chromium, and mercury, and 0.01% for cadmium, or qualify for an exemption to these limits as defined in the Annexes of Directive 2000/53/EC (ELV). Regarding the REACH Regulation, the information TE provides on SVHC in articles for this part number is based on the latest European Chemicals Agency (ECHA) 'Guidance on requirements for substances in articles' posted at this URL: <https://echa.europa.eu/guidance-documents/guidance-on-reach>

Compatible Parts



TE Part # 59824-1
 TETRA-CRIMP PIDG PG FASTON 22-10 ASSY



TE Part # 58433-3
 PRO CR ASSY, RBY IS9252



TE Part # 59239-4
 HHHT PIDG PG 12-10 ASSY



TE Part # 58423-1
 DIE, RBY IS9252




TE Part # 539691-2
 ERGO DIE R.B.Y



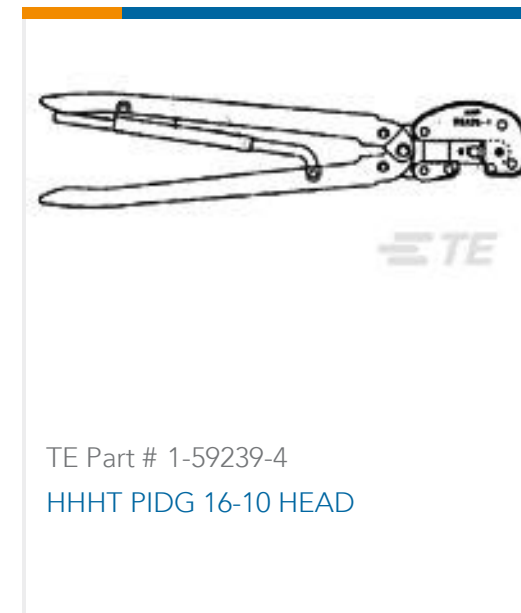
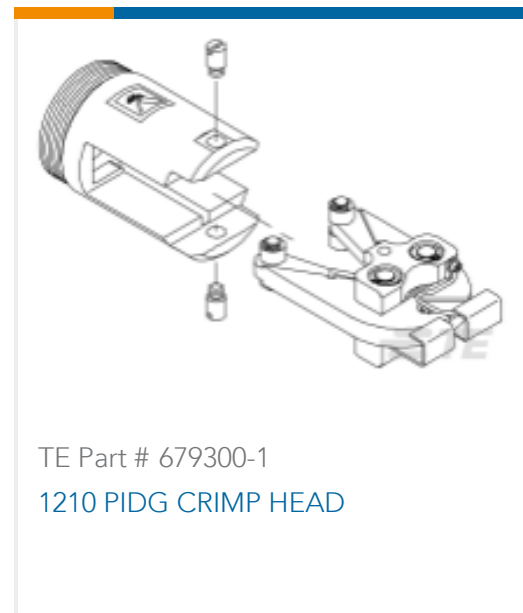
TE Part # 132246-3
 TERMINAL RING TONGUE PIDG 22 18



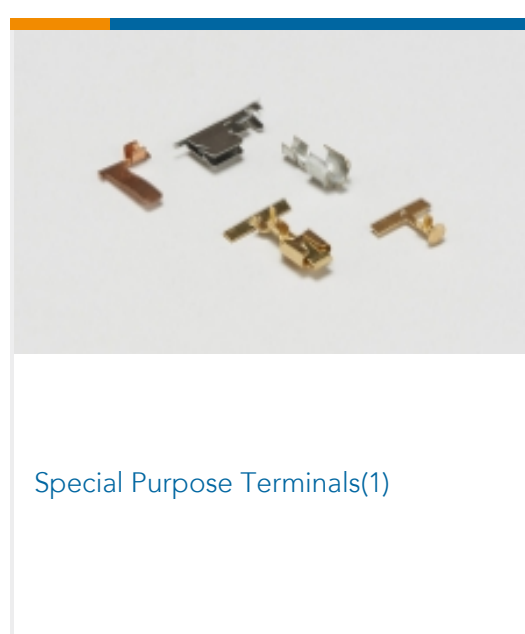
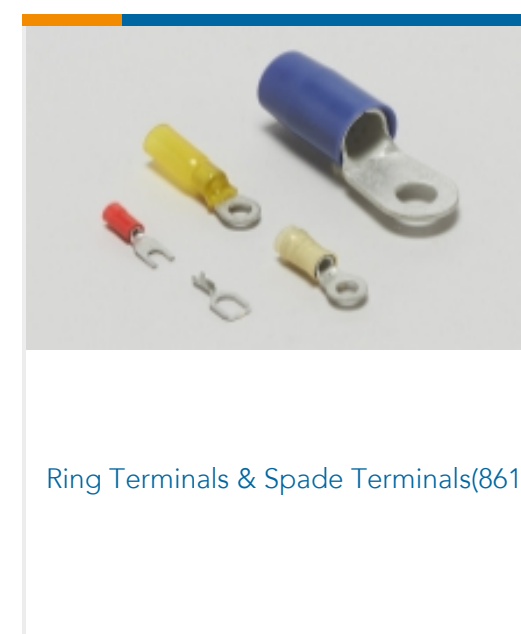
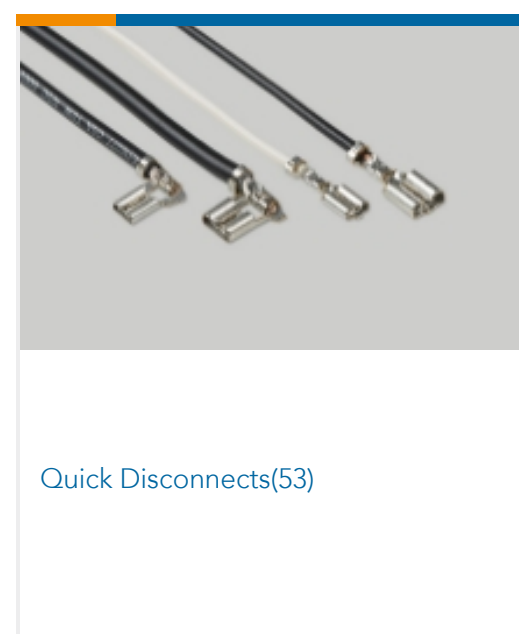
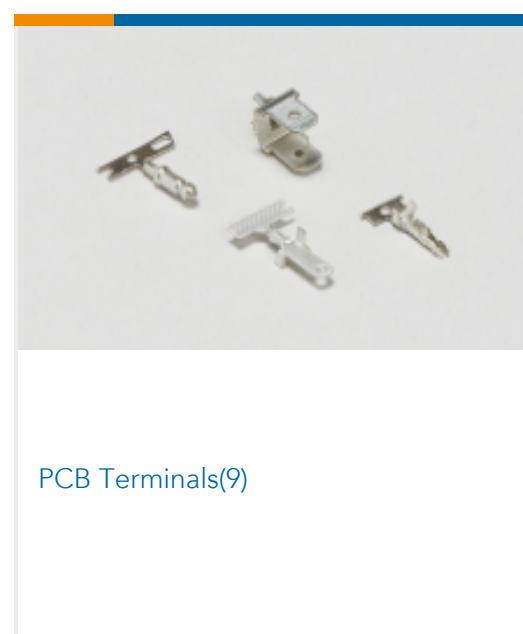
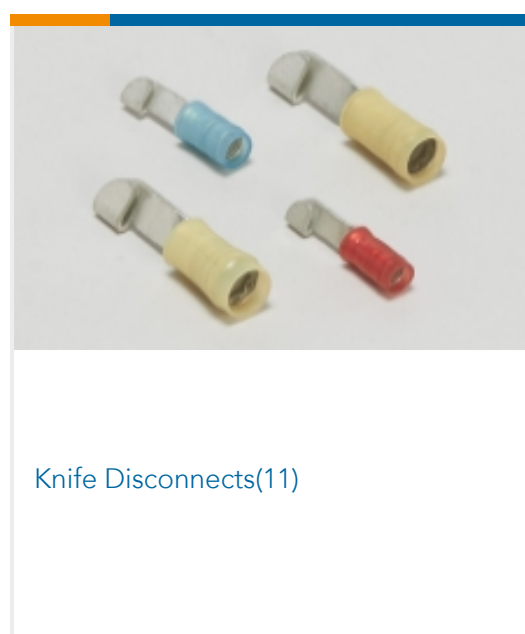
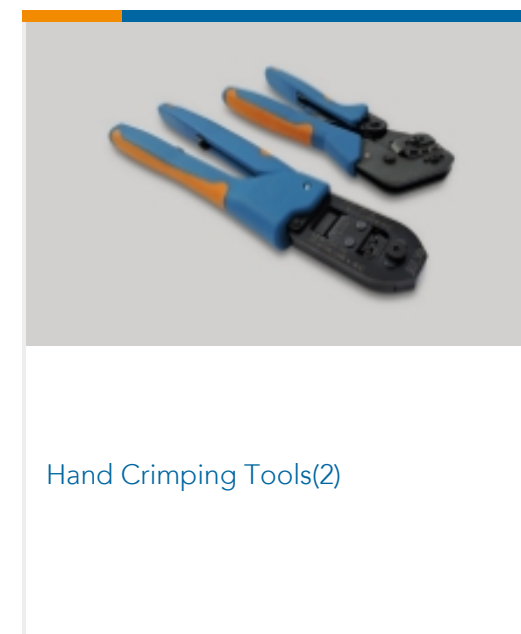
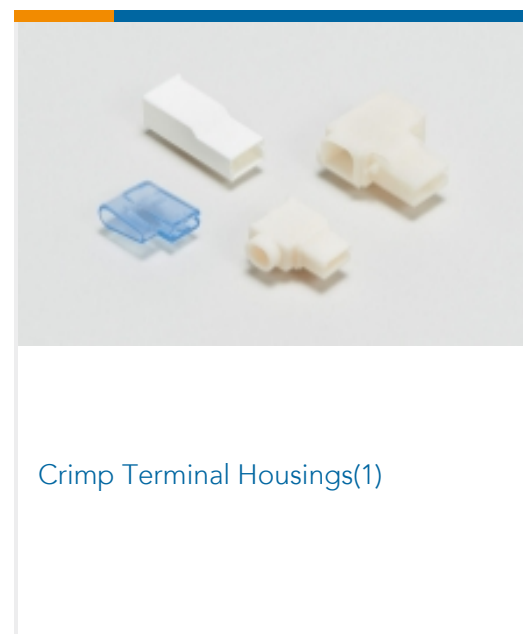
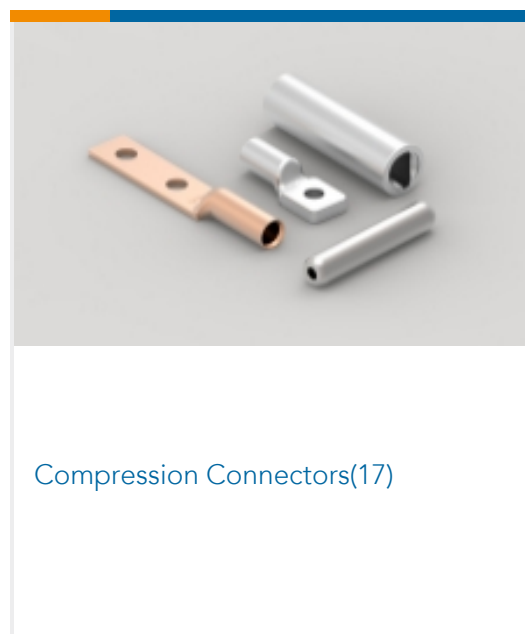
TE Part # 2063030-1
 SDE DIESET, RBY, UL



TE Part # 2217484-2
 KIT, BTLI, HEAVY HEAD



Also in the Series | PIDG



Documents



Product Drawings

[TERMINAL,PIDG PVF2 R 12-10 10](#)

English

CAD Files

Customer View Model

[ENG_CVM_53425-1_R1.3d_igs.zip](#)

English

Customer View Model

[ENG_CVM_53425-1_R1.3d_stp.zip](#)

English

Customer View Model

[ENG_CVM_53425-1_R1.2d_dxf.zip](#)

English

[3D PDF](#)

English

By downloading the CAD file I accept and agree to the [Terms and Conditions](#) of use.

Datasheets & Catalog Pages

[RADIATION_RESISTANT_PRE-INSULATED_TERMINALS_SPLICES](#)

English

Product Specifications

[Application Specification](#)

English